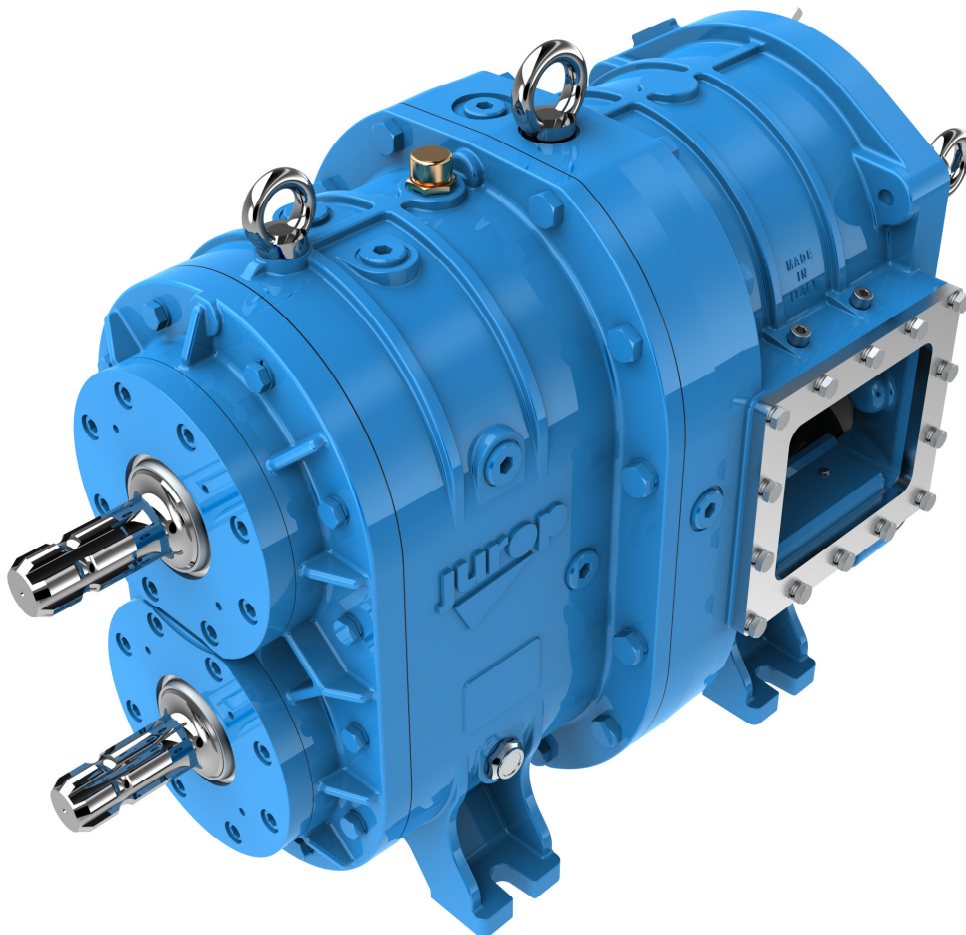
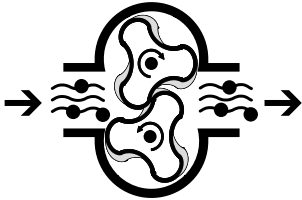


EN

VL 70 - 140



PUMPS

Positive displacement rotary
lobe pumps



COMPANY WITH
QUALITY SYSTEM
CERTIFIED BY DNV GL
= ISO 9001 =

CHARACTERISTICS

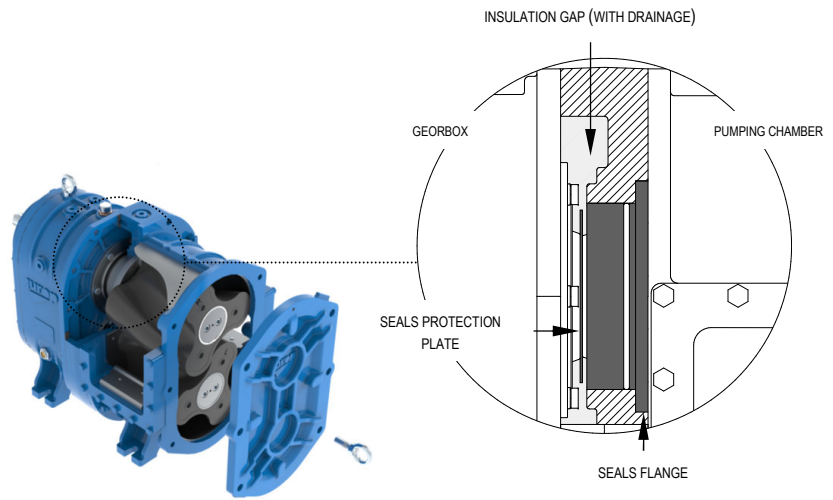
VL Volumetric Lobe pump. Positive displacement rotary lobe selfpriming pump, without valves. Flow rate varies proportionally to the rotation speed.

Two opposite rotating lobes transfer, from the inlet to the outlet, the pumped media drawn into pockets that are formed between the lobes and the pump housing.

Helical lobes are available in NBR.

The flow can be reversed by inverting the rotation direction.

VL pumps are suitable for viscous, pasty (liquid manure, slurry, oil, paint, pastes, mud, storm water, sludges) medias. Suitable for pumping liquids containing solid parts up to 30 mm. Self-priming down to 5 m depth (water).

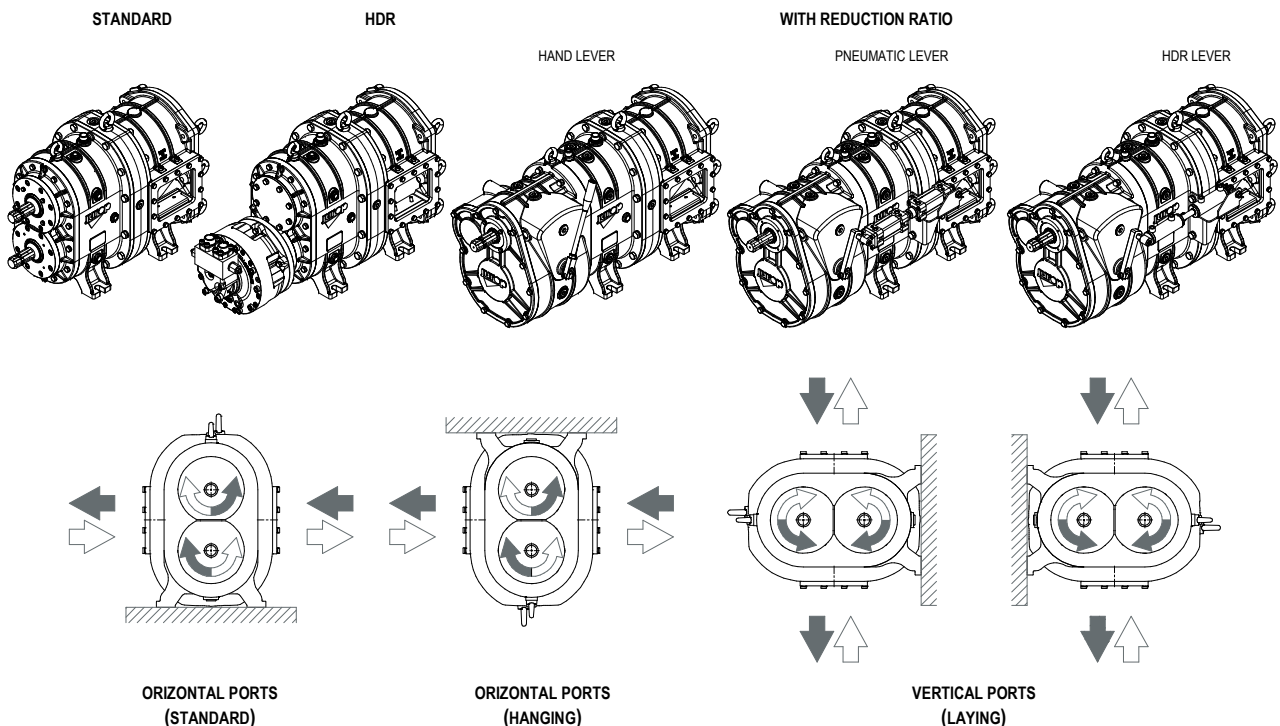


EASY ACCESS TO LOBES FOR A QUICK MAINTENANCE

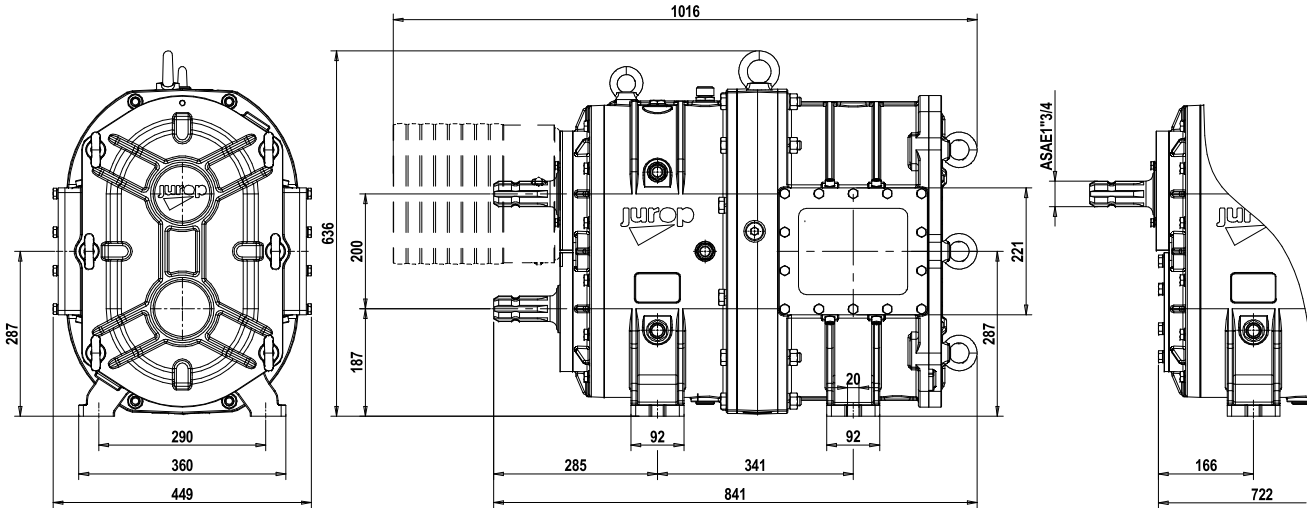
TECHNICAL DATA		VL 70	VL 70 HDR	VL 140	VL 140 HDR
Max. rpm	rpm	600	600	600	600
Rated rpm	rpm	100 - 400	100 - 400	100 - 400	100 - 400
Max. Flow (at rpm max.)	l/min	7000	7000	14000	14000
	m³/h	420	420	840	840
Flow (at rated value)	l/min	1167 - 4667	1167 - 4667	2333 - 9333	2333 - 9333
	m³/h	70 - 280	70 - 280	140 - 560	140 - 560
VL Displacement	l/rev	ca. 11,7	ca. 11,7	ca. 23,4	ca. 23,4
Max. relative pressure (abs)	bar	5 (6)	5 (6)	3 (4)	3 (4)
Power (at rpm max.)	kW	88	88	130	130
Weight	kg	436	521	570	645

Conditions: Water, Density 1000 kg/m³ - Viscosity 1cSt. Actual performance may vary of 5%.

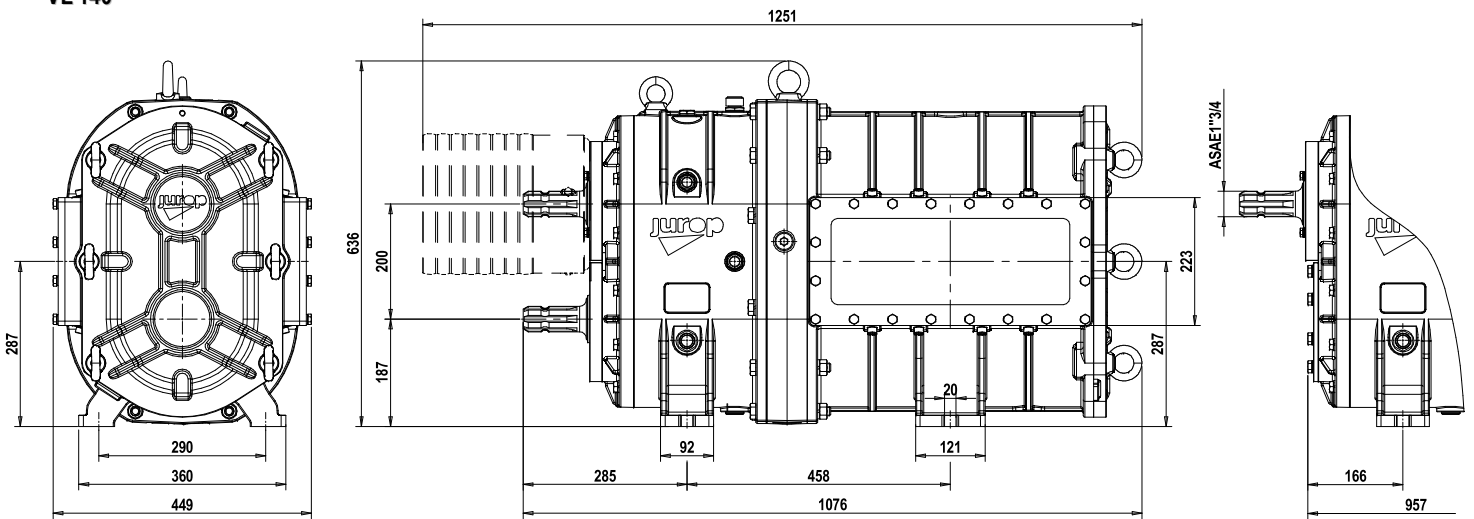
DIMENSIONS AND ARRANGEMENT



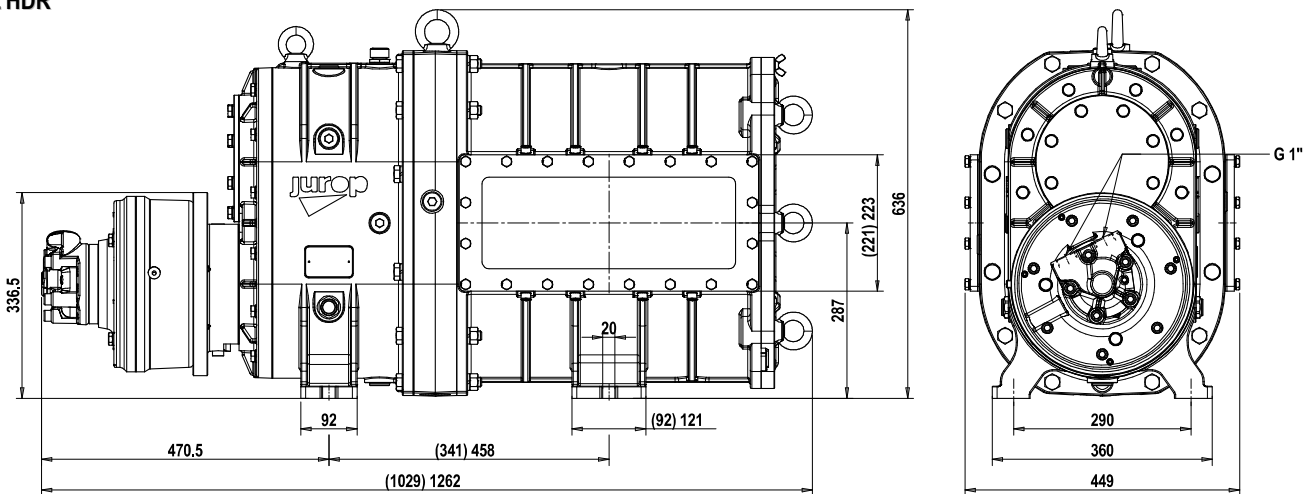
VL 70



VL 140

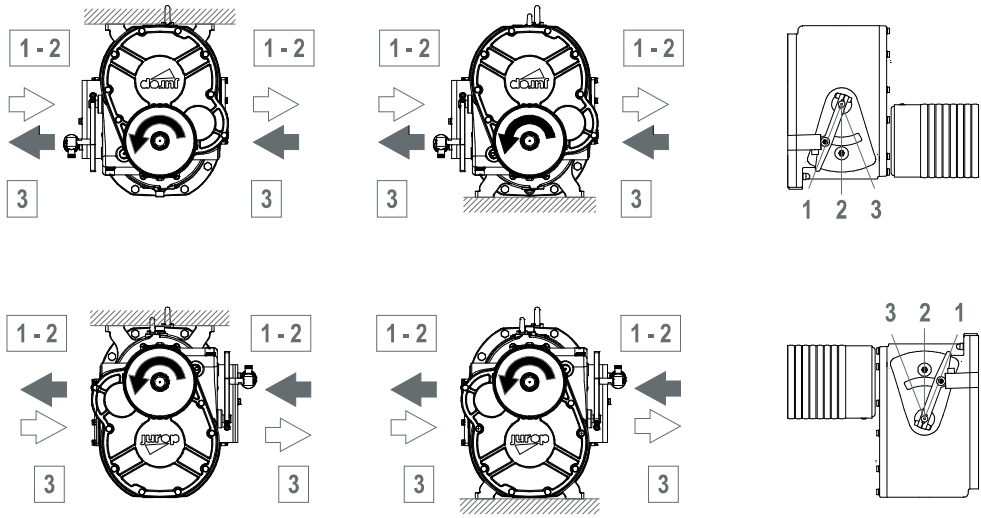


VL HDR



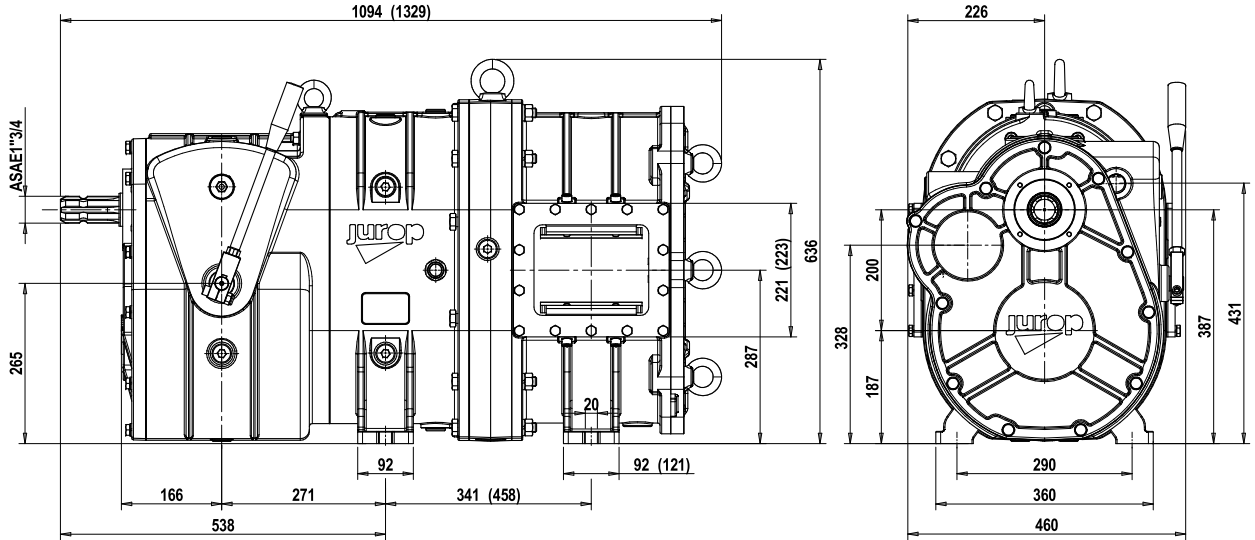
Note: Figure shows VL140 model driven by an hydraulic motor on lower side. Hydraulic motor could be installed on the upper side (upon request). Values in brackets refer to VL 70 model.

VL G (WITH REDUCTION RATIOS IN FORWARD AND REVERSE)



- 1 RATIOS 540 rpm
- 2 RATIOS 333 rpm
- 3 RATIOS (REVERSE) - 460 rpm

The picture shows CCW counterclockwise intake rotation. The reduction gearbox is available on a CW clockwise intake rotation too. Reversing the intake rotation, will reverse the liquid flow.



Note: Figure shows VL70; the gear is available in the following version: hand gear, pneumatic and HDR. Values in brackets refer to VL 140.

PERFORMANCES		VL 70 G	VL 140 G
Ratios 1	Minimum input rpm	rpm 300	300
	Max. input rpm	rpm 1110	1110
	Lobes rpm at 1000 rpm / a 1110 rpm	rpm 540 / 600	540 / 600
	Flow at 1000 / 110 input rpm	l/min 6300 / 7000	12600 / 14000
	Max. relative pressure (abs)	bar 4 (5)	2 (3)
Ratios 2	Minimum input rpm	rpm 300	300
	Max. input rpm	rpm 1110	1110
	Lobes rpm at 1000 rpm / a 1110 rpm	rpm 333 / 370	333 / 370
	Flow at 1000 / 110 input rpm	l/min 3885 / 4317	7770 / 8633
	Max. relative pressure (abs)	bar 5 (6)	3 (4)
Ratios 3 (reverse)	Minimum input rpm	rpm 300	300
	Max. input rpm	rpm 1110	1110
	Lobes rpm at 1000 rpm / a 1110 rpm	rpm 460 / 511	460 / 511
	Flow at 1000 / 110 input rpm	l/min 5370 / 5965	10740 / 11930
	Max. relative pressure (abs)	bar 4,5 (5,5)	2,5 (3,5)
Weight	kg	598	727

Conditions: Water, Density 1000 kg/m³ - Viscosity 1cSt. Actual performance may vary of 5%.